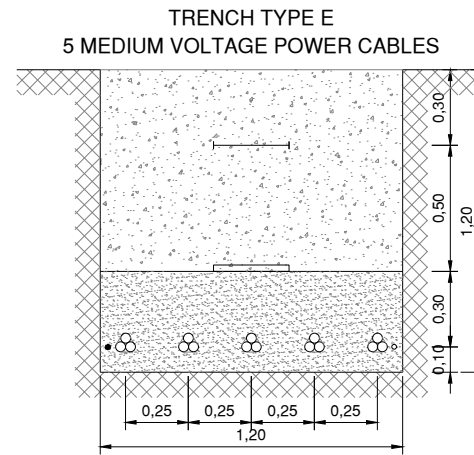
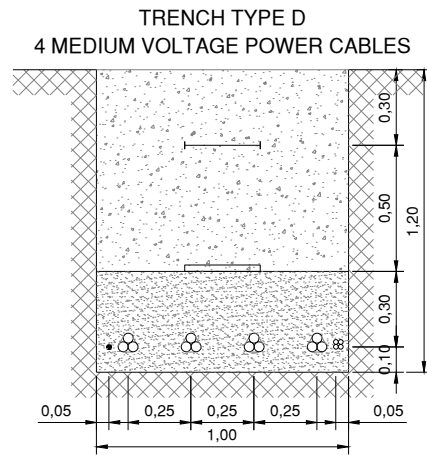
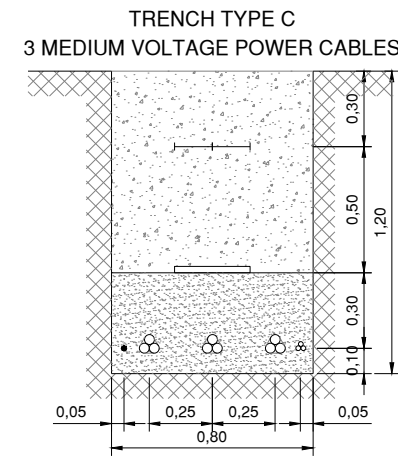
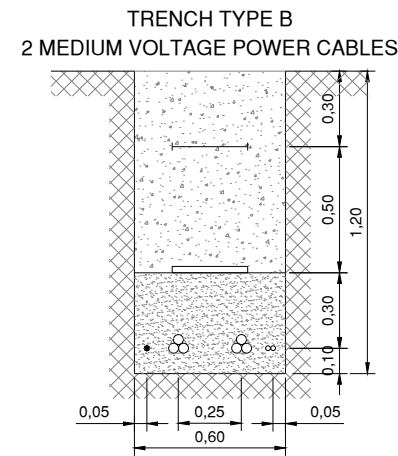
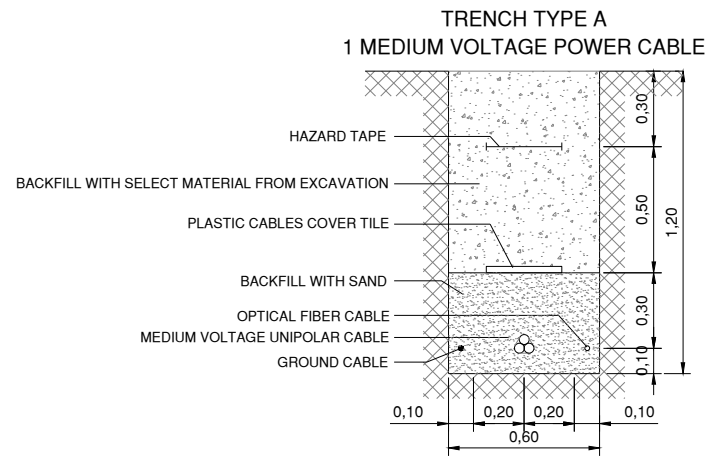
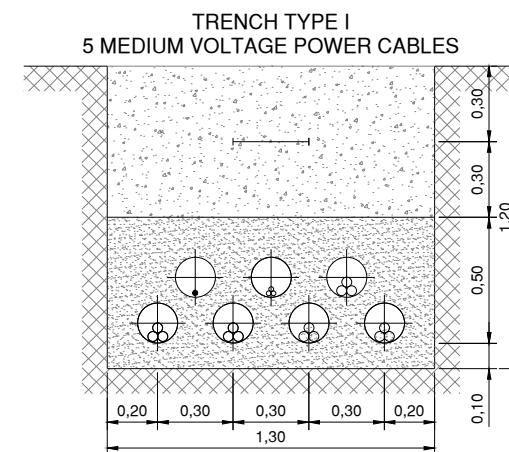
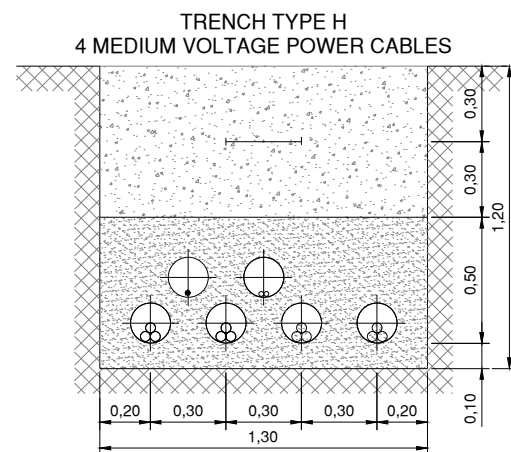
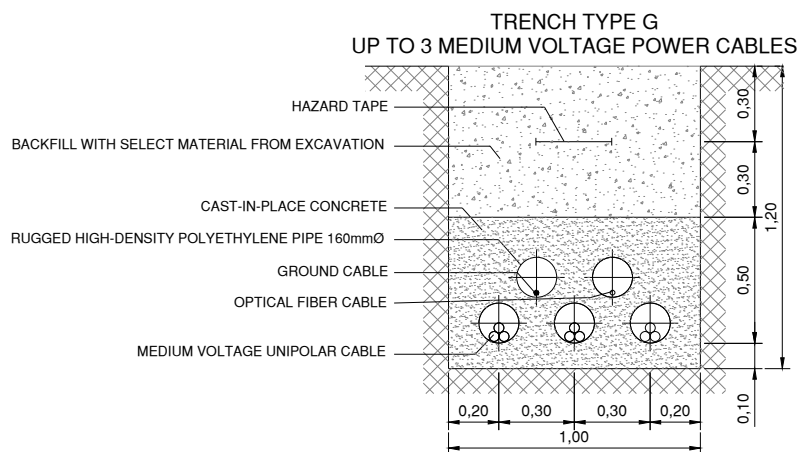


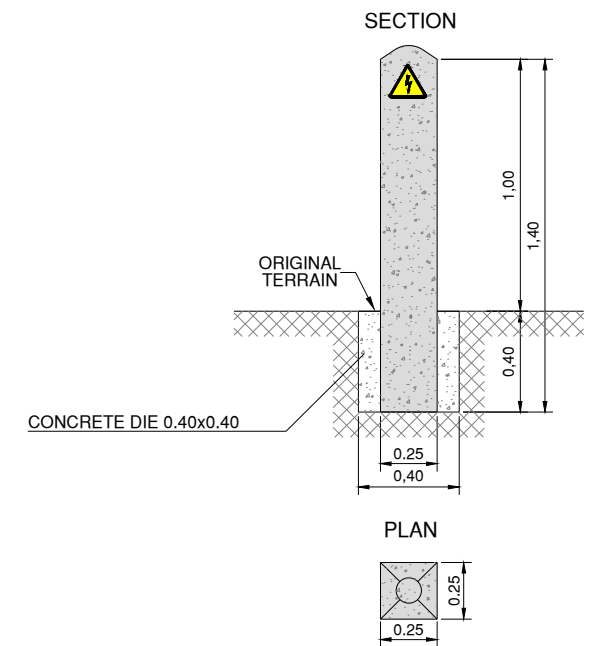
**MEDIUM VOLTAGE CABLES TRENCH  
STANDARD CROSS SECTION**



**MEDIUM VOLTAGE CABLES TRENCH  
ROAD CROSSING CROSS SECTION**



**MILESTONE MARKER**



THE MILESTONE MARKERS WAS LOCATED EVERY 50 METERS  
AND IN CHANGES OF DIRECTION

NOTE:  
PRELIMINARY DRAWING  
SUBJECT TO APPROVAL OF THE CLIENT

PROJECT:  
**SHOBAK WIND FARM 13xV136 HH112**

AUTHOR:  
**Vestas**

SCALE:  
WITHOUT SCALE

DATE:  
16 - 01 - 2017

DRAWING:  
STANDARD CROSS SECTION  
M.V. CABLE TRENCHES

DRAW UP: ADYD\_RGBA DATE:  
CHECK BY: PECEA DATE:  
APPROVAL: ADMAD DATE:

EDITION  
V0  
DRAWING N°:  
3.1  
FORMAT  
A3  
PAGE 3 OF 3